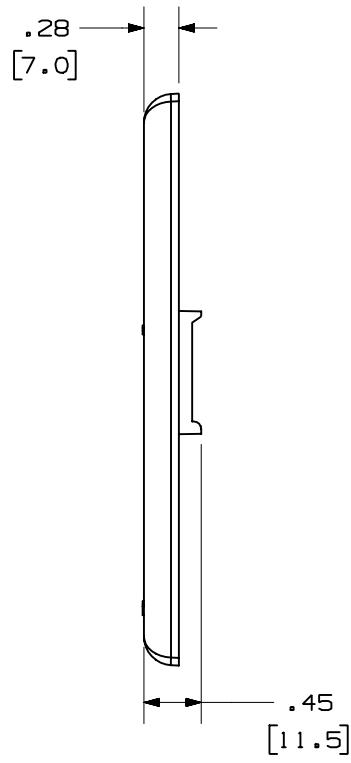
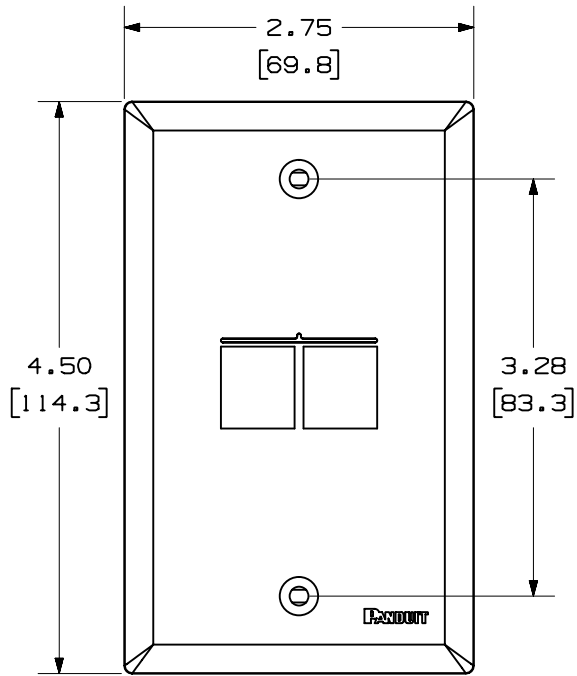


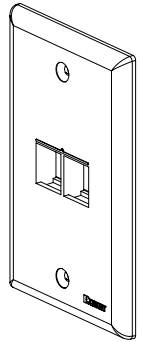
THIS COPY IS PROVIDED ON A RESTRICTED BASIS AND IS NOT TO BE USED IN ANY WAY DETRIMENTAL TO THE INTERESTS OF PANDUIT CORP.

|             |                                   |
|-------------|-----------------------------------|
| PANDUIT P/N | WEIGHT                            |
| NK2FN**     | .XX LB/10 PCS<br>(XXX.X g/10 PCS) |



NOTES:

1. SEE CURRENT CATALOG FOR ADDITIONAL PART NUMBER SUFFIXES TO INDICATE COLOR AND OR PACKAGE QUANTITY.
2. SEE CATALOG FOR COMPLETE LIST OF PARTS APPLICABLE FOR USE WITH THIS PART.
3. DIMENSIONS IN PARENTHESES ARE IN METRIC.
4. PART INCLUDES:
  - 1- FACEPLATE
  - 2- COLOR COORDINATED MOUNTING SCREW (#6-32X 1.00")



|                  |                       |      |   |
|------------------|-----------------------|------|---|
| MODEL FILENAME   | MO2062BB_NKFP2_02.PRT | SIZE | A |
| DRAWING FILENAME | MO2062BB_DC_02A.PRT   |      |   |

NETKEY™ 2 POSITION  
VERTICAL CLASSIC SERIES  
FACEPLATE CUSTOMER DRAWING

|   |                  |          |
|---|------------------|----------|
| <p>PANDUIT™<br/>CORP.<br/>TINLEY PARK, ILL 60477</p>  | I.I. NUMBER      | N/A      |
|   | PRODUCT SPEC     | N/A      |
| <p>THIRD ANGLE<br/>PROJECTION</p>   | WORK INSTRUCTION | N/A      |
|   | SCALE            | NONE     |
| <p>ALL DIMENSIONS ARE GIVEN IN INCHES, UNLESS OTHERWISE SPECIFIED.</p> <p>DIMENSIONAL TOLERANCES ARE:<br/>(.X) ± (.XXX) ± .010(.3)<br/>(.XX) ± .03(.8) ANGLES ±</p> | PART NO.         | NK2FN**  |
| <p>REVIEW DRAWING NUMBERS</p> <p>MATERIAL: ABS</p>  | DRAWING NO.      | 02062-05 |

|     |         |     |     |                        |          |   |      |     |     |
|-----|---------|-----|-----|------------------------|----------|---|------|-----|-----|
| REV | DATE    | BY  | CHK | DESCRIPTION            | ECN      | R | CUST | SUP | OTH |
| R   | 8-16-04 | JsP |     | RELEASED TO PRODUCTION | 02062-05 |   |      |     |     |